



chemfeed

Exclusive Griffco distributor
 Regulierenring 26
 NL-3981LA Bunnik
www.chemfeed.nl
info@chemfeed.nl
 Tel: +31 88 022 5300

INJECTION VALVE



Features:

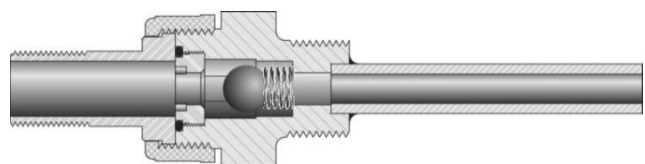
- High Reliability / Low Cost
- Robust, Machined Construction
- Comes Complete with Union
- Hastelloy C Spring
- Multiple Tip options
- Optional Chemical Line Drain
- Integrated Quill
- Wide Range of Materials

Operation:

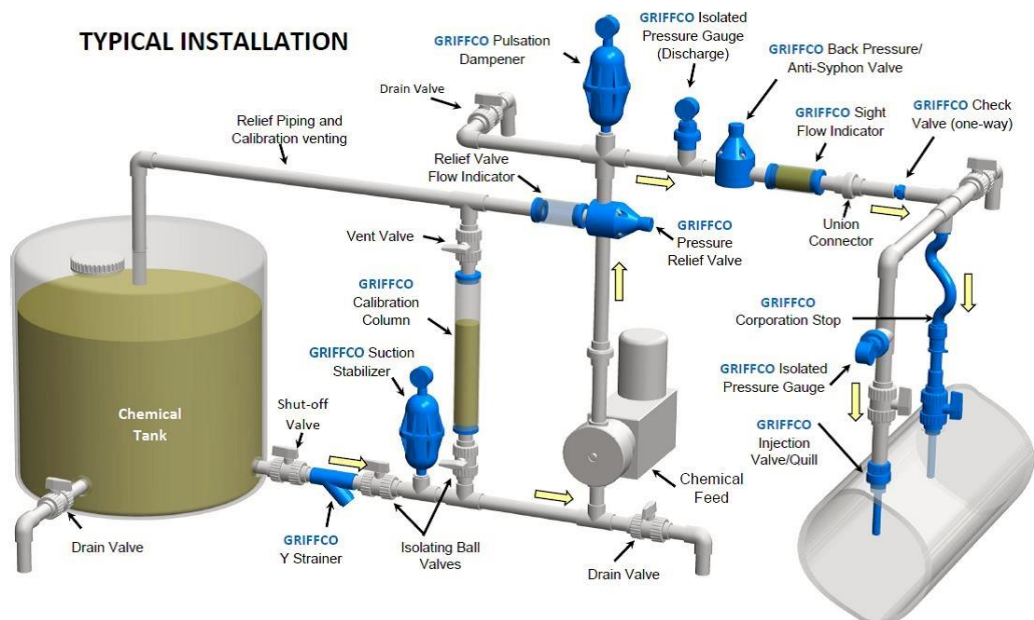
Griffco injection valves are threaded into a process pipe or tank to deliver chemical to a desired application point. The integrated quill keeps the chemical off the wall of the tank or pipe and will ensure better mixing of the chemical with the process fluid. The ball check in the valve functions as a positive shut-off to ensure the process fluid does not go back up the chemical line. The union facilitates an easy connection between the valve and the chemical line.

Griffco injection check valves are designed to ensure chemical feed systems inject into the center of a process stream for better mixing and to prevent corrosion along the process pipe. The check valve prevents the process fluid from going back up the chemical line. Robust construction ensures reliability in the rigorous service of municipal and industrial applications. Materials of construction include PVC, CPVC, PVDF, 316 SS, Alloy 20 and Hastelloy C. They are available in sizes 1/2", 3/4", 1", 1.5", and 2".

Sectional Drawing:



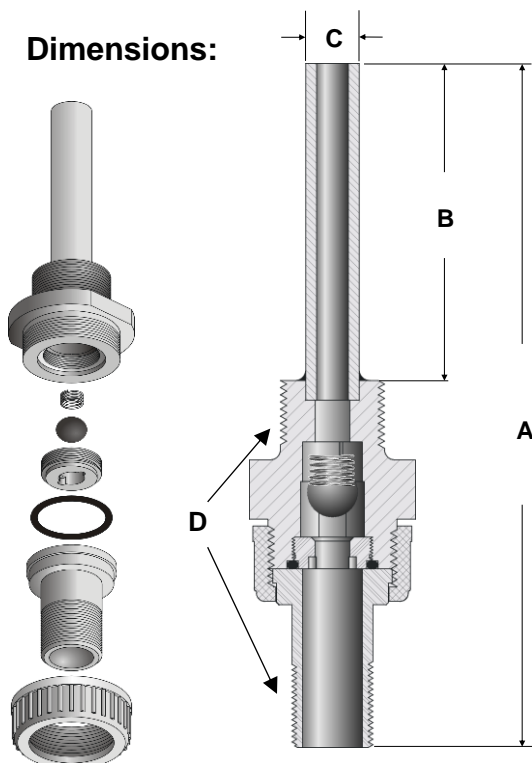
TYPICAL INSTALLATION



Technical Data:

Sizes: Model ICV	1/2", 3/4", 1", 1.5", and 2"
Connections:	Union – Threaded (Metal & Plastic) or Socket (Plastic Only)
Maximum Temperature: (°C)	Plastic: 60° ; Metal: 150°
Maximum Operating Pressure	Plastic: 17 bar ; Metal: 24 bar
Materials of Construction:	
Valve Ball / Spring	PTFE Ball / Hastelloy C Spring
O Ring	Standard: FKM (Viton®) Optional: EPDM
Union Nut	Standard: PVC for plastic valves. 316 SS for metal valves Optional: Others on Request
Valve Body	PVC, CPVC, PP, PVDF, 316 SS, A 20, Hast. C, Others on Request
Optional Injection Tip	Contact Factory for details

Dimensions:

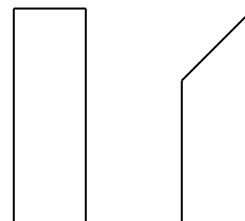


Sizes	A - Threaded (Metal & Plastic)	A - Socket (Plastic Only)	B * (Std)	C	Connections (D)
1/2"	210 mm	178 mm	102 mm *	16 mm	1/2"
3/4"	210 mm	191 mm	102 mm *	18 mm	3/4"
1"	210 mm	191 mm	102 mm *	23 mm	1"
1.5"	336 mm	256 mm	153 mm *	36 mm	1-1/2"
2"	343 mm	292 mm	153 mm *	49 mm	2"

*Standard length, optional lengths available up to 24"

Tip Configurations:

Flat (std) Beveled



Note: standard configuration is:

- Flat tip
- Viton o-rings
- Male NPT threads

Quill Length	In.	mm
5	5	125
6	6	150
7	7	175
8	8	200
9	9	225
10	10	250
11	11	275
12	12	300
13	13	325
14	14	350
15	15	375
16	16	400
17	17	425
18	18	450
19	19	475
20	20	500
21	21	525
22	22	550
23	23	575
24	24	600

Product Codes for Ordering:

ICV □ □ □ □ □ □

1 2 3 4

1 = Size

050 - 1/2"
075 - 3/4"
100 - 1"
150 - 1.5"
200 - 2"

2 = Material

S - 316 SS
A - Alloy 20
C - Hastelloy C
P - PVC
K - PVDF
CP-CPVC
PP - Polypropylene

3 = Quill Length

Blank - 4" (std 1/2"-1")
Blank - 6" (std 1.5"-2")
(Others by request)

4 = Options

Blank - Viton & Flat tip
E - EPDM
B - BSPT threads
S - Socket Connection (Plastic only)
SD - Metric socket (Plastic only)
TC - PTFE Coated Hast. C Spring
L - Beveled/angled
Z - Female Threaded Connection