



chemfeed

Exclusive Griffco distributor
Regulierering 26
NL-3981LA Bunnik
www.chemfeed.nl
info@chemfeed.nl
Tel: +31 88 022 5300

PRHP SERIES PRESSURE RELIEF VALVES



Features:

- High Reliability / Low Cost
- Pressure Range Up To 275 bar
- Compact Size for OEM Applications
- 2 Port, 90° Configuration
- Multiple Connection Options: Threaded, Socket, and Flanged
- Robust, Machined Construction
- Wide Range of Materials

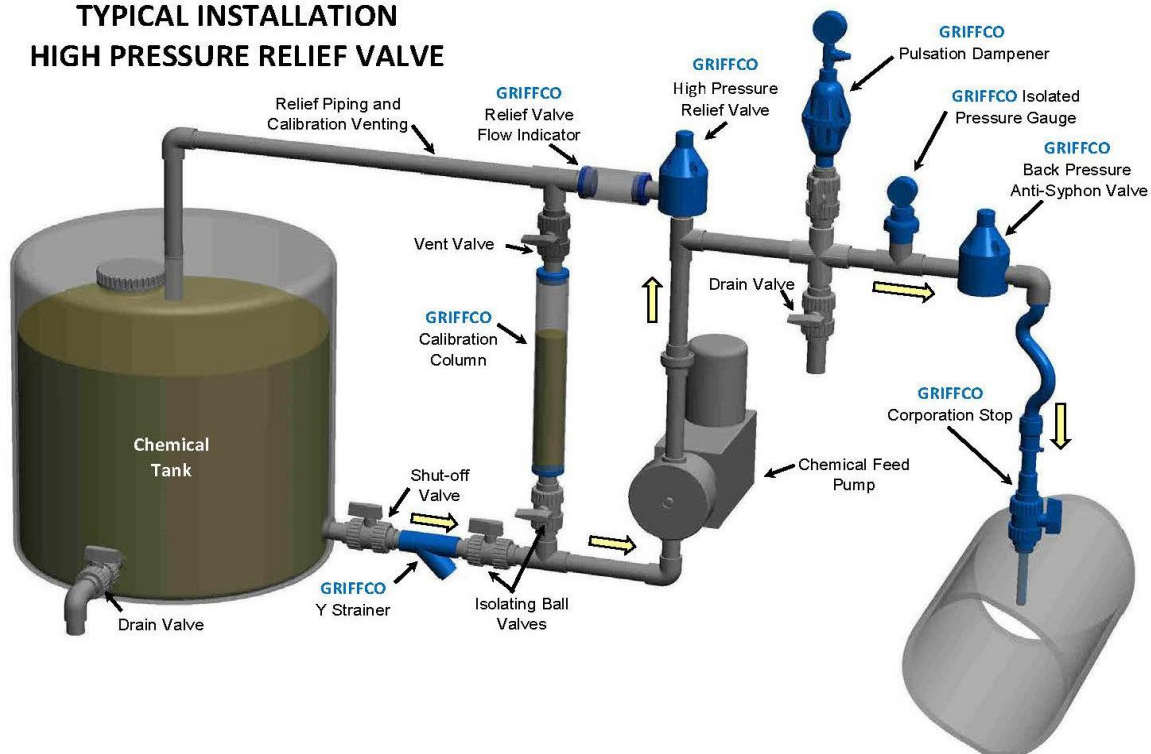
Operation:

Griffco high pressure relief valves operate when the pressure in the chemical system exceeds the preset pressure of the valve. The piston is held against the valve seat by an internal spring. When the preset pressure is exceeded the piston is forced up and the chemical flows out the relief port, to drain or back to the chemical tank. The valves are pre-set on request, however they are field adjustable from 24 – 275 bar via the adjustment screw. The relief valve should be set approximately 10% higher than the system operating pressure. Installation should be made as close to the pump as possible, without any valves or accessories between the relief valve and the pump. Consult your pump manufacturer for their recommendations.

Griffco diaphragm pressure relief valves are designed to protect chemical feed systems from over pressure damage caused by defective equipment or a blockage in the chemical feed line. Robust construction ensures reliability in the rigorous service of municipal and industrial applications. Wetted materials include **316 SS, Alloy 20 and Hastelloy C (body), and Kynar and 316SS/316L (poppet)**.

Available sizes: 1/4", 3/8", 1/2", 3/4" and 1"

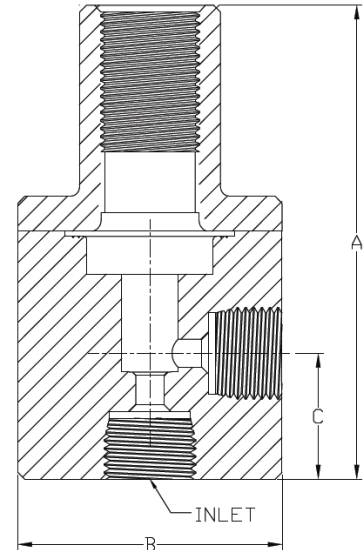
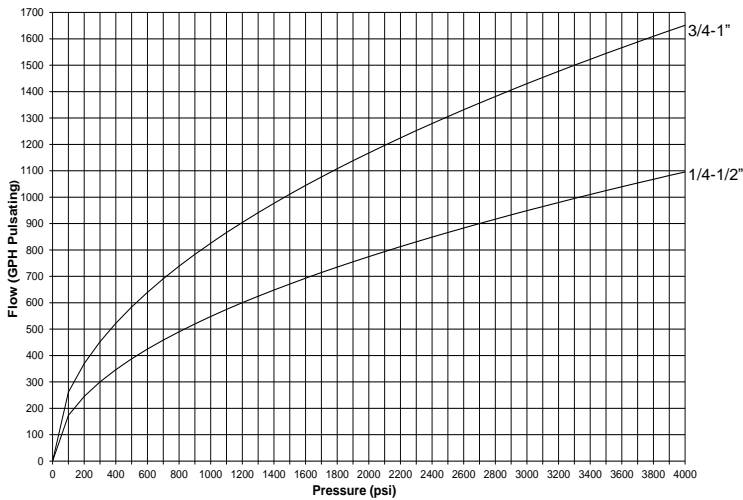
TYPICAL INSTALLATION HIGH PRESSURE RELIEF VALVE



Technical Data:

Sizes: Model PRHP and PRHP4			1/4", 3/8", 1/2", 3/4" & 1"			
Connections:			NPT, Socket, and Flanged			
Pressure Adjustment			PRHP: 24 – 170 bar, PRHP4: 70 – 275 bar			
Max Flow Rates		@ 170 bar	@ 275 bar	@ 170 bar	@ 275 bar	Shipping Weight: gram
Size	Pulsating	Pulsating	Continuous	Continuous	Metal / Metal Top:	
1/4"	3.140 L/Hr	3.975 L/Hr	167 L/min	212 L/min	1.360	
3/8"	3.140 L/Hr	3.975 L/Hr	167 L/min	212 L/min	1.360	
1/2"	3.140 L/Hr	3.975 L/Hr	167 L/min	212 L/min	1.590	
3/4"	5.072 L/Hr	6.245 L/Hr	265 L/min	325 L/min	3.175	
1"	5.072 L/Hr	6.245 L/Hr	265 L/min	325 L/min	3.175	
Max Temperature: (°C)			150°, (Operating; Short Term 200°)			
Materials of Construction:						
Piston			PVDF or optional 316SS			
Diaphragm			PTFE / EPDM, Optional: Viton & PTFE / Viton			
Oring Seat			PTFE			
Valve Top			316 SS			
Valve Body			316 SS, A 20, Hast. C, Others on Request			

Performance Curves:



Dimensions:

Product Codes For Ordering:

PRHP (2500 psi)
 PRHP4 (4000 psi) 1 2 3

1 = Size
 025 – 1/4"
 038 – 3/8"
 050 – 1/2"
 075 – 3/4"
 100 – 1"

2 = Material
 S - 316 SS
 A - Alloy 20
 C - Hastelloy C

3 = Options
 Blank - NPT & PTFE/EPDM Diap.
 V - Viton Diaphragm
 TV – PTFE/Viton Diaphragm
 S - Socket Connections
 F (# rating) – Flange connection with lb rating

D	A(mm) PRHP	A(mm) PRHP4	B(mm)	C(mm)
1/4"	108,0	119,9	60,3	27,9
3/8"	108,0	119,9	60,3	27,9
1/2"	108,8	119,9	60,3	27,9
3/4"	149,8	162,6	88,9	31,8
1"	149,8	162,6	88,9	31,8